

General Description

INNALABS **INL-CVG-GU200** is a two-axis Coriolis Vibratory Gyroscope designed and manufactured to meet the most challenging inertial systems requirements:

- In run Bias stability (room temperature, 1σ) < 0.1 °/hr
- Low output noise (< 0.01 °/s RMS @ 100 Hz)
- Large bandwidth (150 Hz)
- High MTBF (500,000 hr)
- Robustness (300 high-g shock)



Applications

Applications are various, from inertial systems which require tactical performance and small size to antenna and platform stabilization. INNALABS' gyros will be found for example in the following very demanding applications:

- Stabilization systems for:
 - platforms,
 - antennas,
 - optics,
 - vehicles...
- Remote systems and autonomous vehicles:
 - AGV (Automated Guided Vehicles),
 - UUV (Unmanned Underwater Vehicles),
 - UAV (Unmanned Aerial Vehicles),
 - ROV (Remotely Operated underwater Vehicles)...
- Airborne navigation, guidance and control systems:
 - IMU (Inertial Measurement Units),
 - INS & INS/GPS (Inertial Navigation Systems),
 - AHRS (Attitude Heading Reference Systems)...

Technology Description

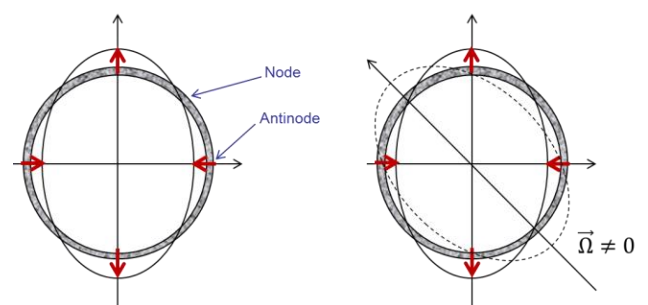
Solid-state Coriolis Vibrating Gyros are based on the control of two standing waves in a physical body. This body is a resonator which can be designed as an axisymmetrical shape or not, but only axisymmetrical shapes lead to top of the range performances.

Following pictures show INNALABS' CVG sensitive element (SE) (on the left) and its axisymmetrical resonator (on the right). This sensitive element is used whatever INNALABS' CVG products.



The resonator is operated on its second order resonant modes. Standing waves are therefore elliptical shape oscillations with four antinodes and four nodes located circumferentially along the rim, angle between two adjacent antinode – node being 45 deg.

One of the elliptical resonant modes is excited to a prescribed amplitude. When the device rotates about its sensitive axis (along its inner stem), the resulting Coriolis forces acting on the resonator's vibrating mass elements excite the second resonant mode. Angle between major axis of the two modes is 45 deg:



A closed-loop drives the second resonant mode to zero and the force required to null this mode is proportional to the input rotation rate. Corresponding control loop system is called force-rebalanced mode.

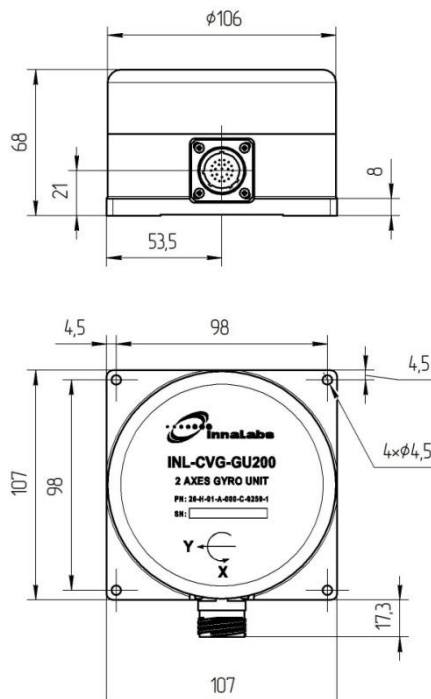
In order to provide forces and to sense induced motions, piezo-electric elements placed on the resonator are used. This electromechanical system is particularly effective and leads to low output noise and large dynamic range as required in case of demanding applications.



Performance

| Parameter | Unit | Value |
|---|-----------------|--|
| Number of axis | | Two (along X and Y) |
| Output format | | Analog |
| Output interface | V DC | Differential +/- 10 VDC for full scale (+/- 5 VDC, pins PO1 and PO2. -/+ 5VDC, pins NO1 and NO2) |
| Temperature compensation (Bias, SF) | | Yes |
| Measurement range | deg/sec | Up to ±250 |
| Bandwidth | Hz | > 150 |
| Bias setting (at room temperature) | deg/hr | < 1 |
| In run Bias stability (room temp., 1σ) | deg/hr | < 0.1 |
| Bias stability, full temperature range, 1σ | deg/hr | < 15 |
| Bias repeatability, turn-on turn-on, 1σ | deg/hr | < 10 |
| Angular Random Walk (steady conditions) | deg/√hr | 0.01 |
| Quiescent noise (0.1 – 100 Hz), RMS | deg/sec | < 0.01 |
| Noise under vibration (0.1 - 100 Hz), (12g rms - 0 to 2000 Hz) | deg/hr/ grms | < 30 |
| Scale factor error, full temperature range | % | < 0.35 |
| Scale factor linearity | ppm | < 1,000 |
| Start up time | sec | < 1 |
| Warm up time | sec | < 50 |
| Misalignment | mrad | < 10 |
| Input signal (MIL STD 461 and 1275) | VDC | 0 /+18 VDC to +36 VDC |
| Power consumption | Watt | < 3.3 |
| Operational temperature | degC | -40 to +85 |
| Storage temperature | degC | -55 to +90 |
| Vibrations, operational | g RMS,Hz | 12g, 1 – 2000 Hz, 10 min/axis |
| Vibrations, transport | g RMS,Hz | 3g, 1 – 2000 Hz, 1 h/axis |
| Shock | g, ms | 300g, 2 to 5ms |
| MTBF, (MIL-HDBK 217F) | hours | 500,000 |
| Electromagnetic Environmental Effects | | MIL-STD-461E |
| Lifetime | years | 17 |
| Weight | kg | 1.1 |
| Dimensions | mm | H68 x L107 x W107 |
| Built-in-self-test | | Yes |

Dimensions drawing (mm):



Disclaimer: the document is subject to change without notice. INNALABS reserves the right to make changes to any product or technology herein. INNALABS does not assume any liability arising out of the application or use of the product.

For more information contact:

INNALABS

Address: 5th Floor, Beaux Lane House,
Mercer Street Lower, Dublin 2, Ireland
Tel/Fax: +353 1 888 1008

E-mail: contact.sales@innalabs.com

Website: www.innalabs.com